

THIS DRAWING IS UNPUBLISHED. RELEASED FOR PUBLICATION
 © COPYRIGHT - By - ALL RIGHTS RESERVED.

Loc		DIST		REVISIONS			
P	LTR	DESCRIPTION	DATE	DWN	APVD		
AG	00	BB2	REVISED PER ECO-11-004917	11MAR11	RK	HMR	

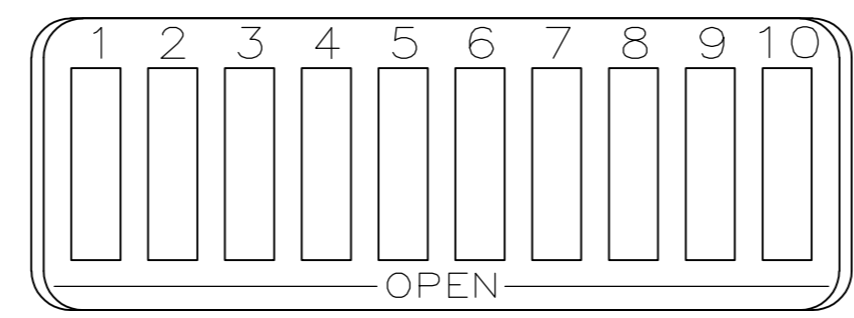
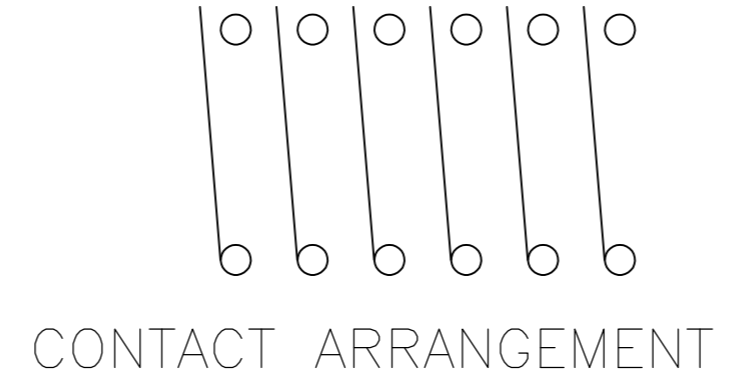
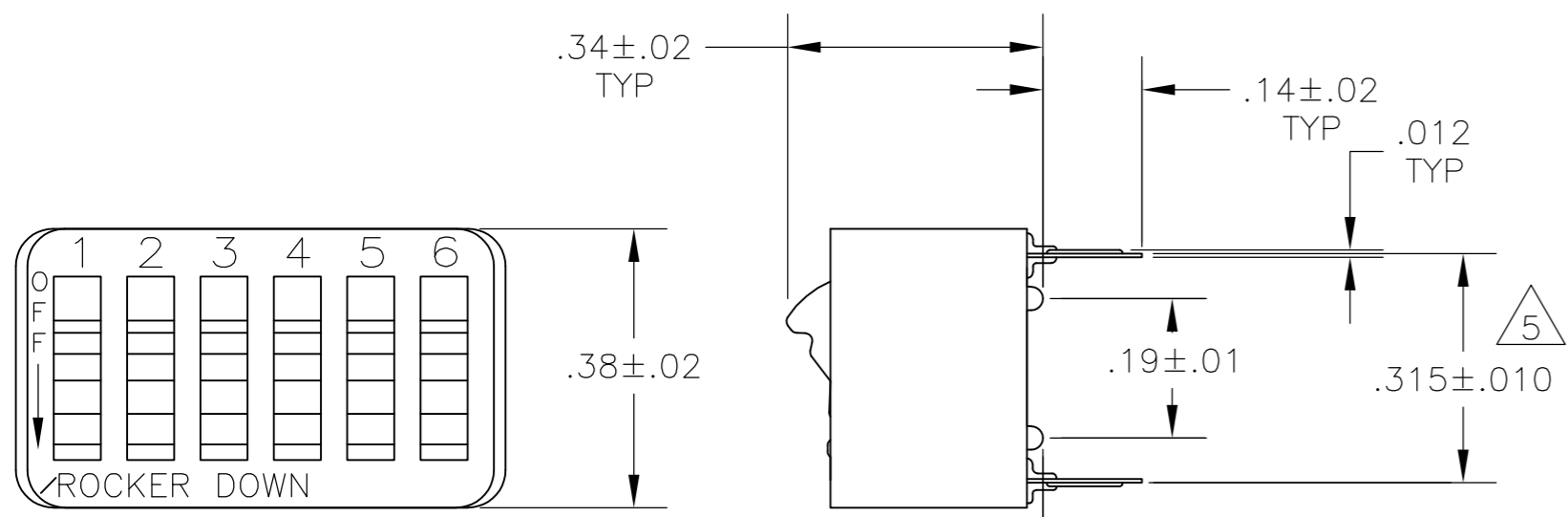


FIG 8

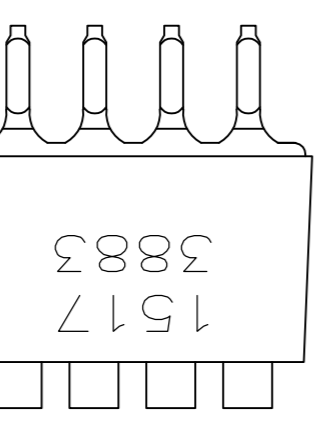
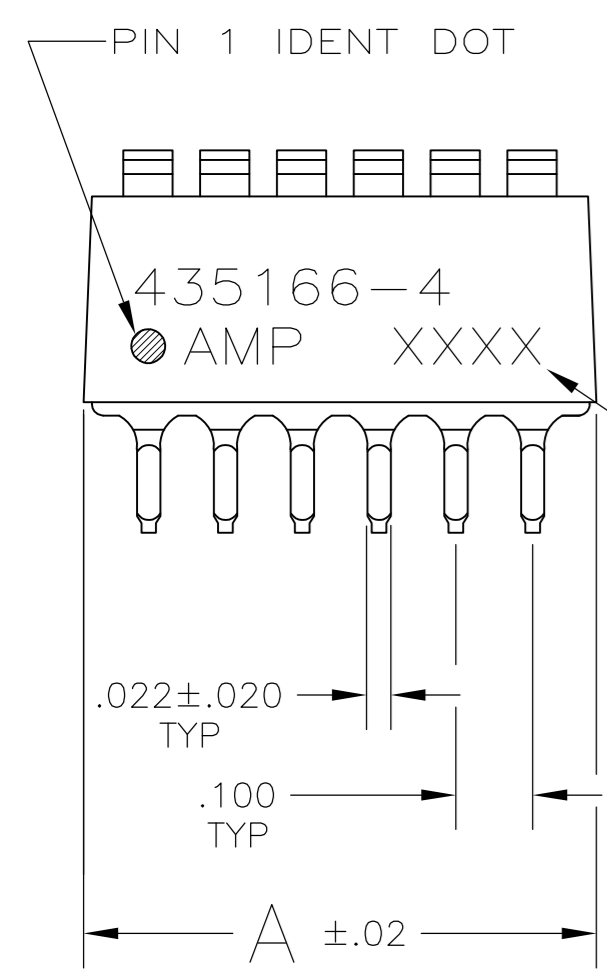


FIG 5

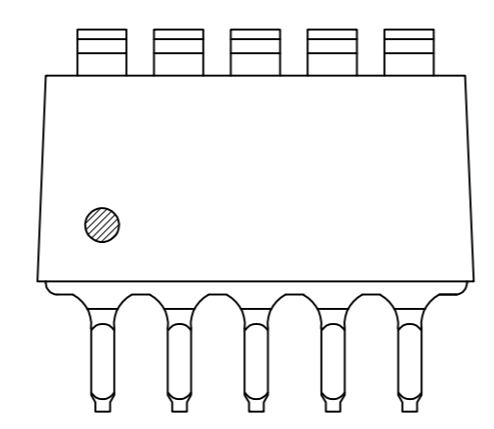


FIG 6

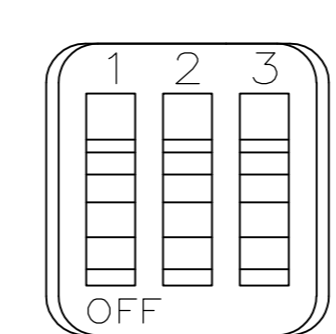


FIG 7

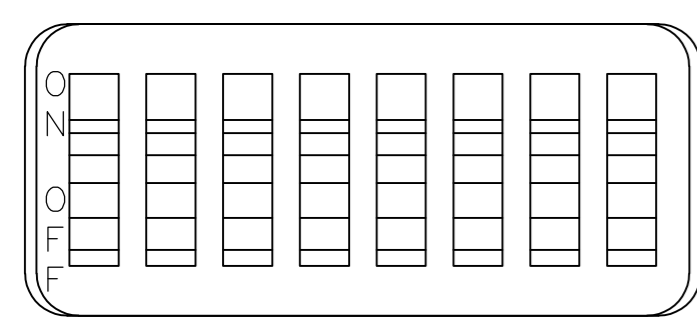


FIG 2

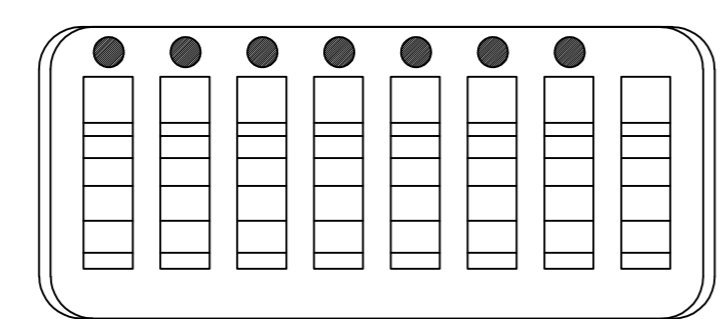


FIG 3

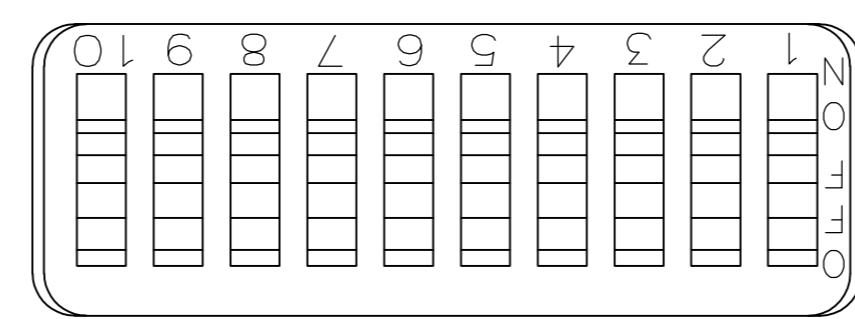


FIG 4

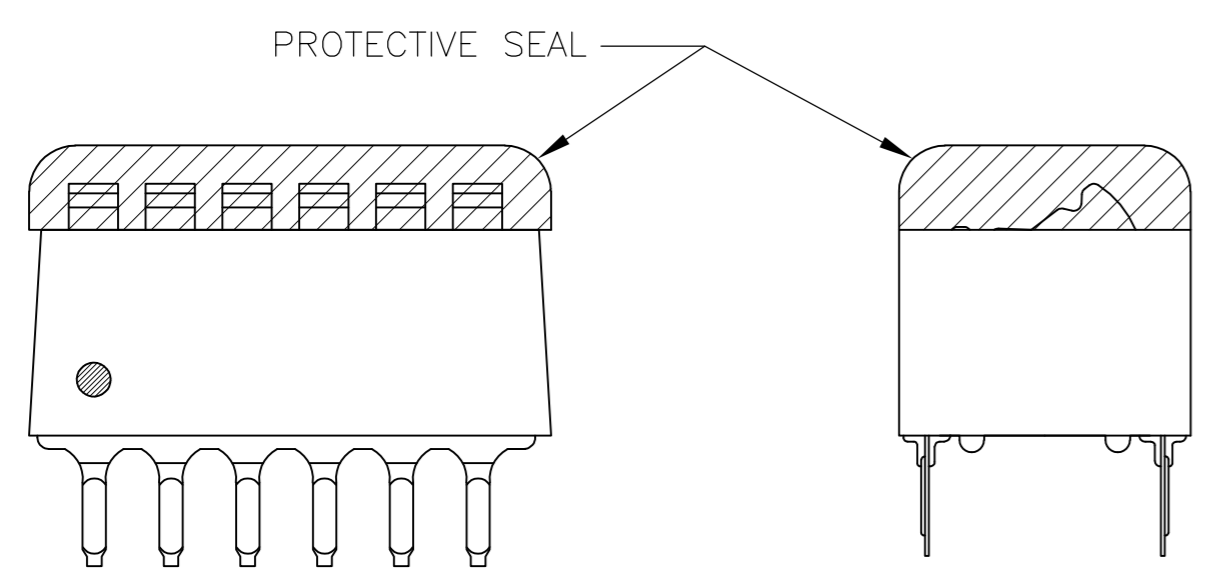


FIG 1

435166-4 SHOWN

- FOR ADDITIONAL SPECIFICATIONS SEE AMP PRODUCT SPEC 108-7519.
 - SWITCH SHOWN IN OPEN POSITION.
 - ALL CHARACTERS AND ROCKERS ARE WHITE, HOUSING IS BLACK.
 - STAMPING WILL VARY ON 2 AND 3 POSITION SIDES DUE TO SPACE RESTRICTIONS.
- 5 .315 DIMENSION APPLIES AT TERMINAL TIPS. TERMINALS ARE .300 ±.010 AT MOUNTING SURFACE.
 6 STRIPPABLE TRANSPARENT SEAL, SEE FIG 1.
 7 STAMPED CUSTOMER PART NO, SEE FIG 5.
 8 NO PART NO, LOGO AND DATE CODE. SEE FIG 6.
 9 OBSOLETE PARTS: OBSOLETE CIS STREAMLINING PER D.RENAUD/D.SINISI

FIG	DESCRIPTION	DATE	DWN	APVD	
9	OBSOLETE	FIG 8	1.08	10	7-435166-4
	OBS	NONE	.58	5	7-435166-3
	OBS	FIG 4	1.08	10	6-435166-0
	OBS	NONE	1.28	12	5-435166-9
	OBS		1.28	12	5-435166-7
9	OBSOLETE		1.08	10	5-435166-5
	OBS		.98	9	5-435166-4
	OBS		.88	8	5-435166-3
9	SUPSEDED BY 5-5435166-2		.78	7	5-435166-2
	OBS		.68	6	5-435166-1
9	OBSOLETE		.58	5	5-435166-0
	OBS		.48	4	4-435166-9
	OBS	FIG 7	.38	3	4-435166-8
	OBS	AS SHOWN	.28	2	4-435166-7
	OBS	AS SHOWN	.48	4	4-435166-6
	OBS	FIG 3	.78	7	3-435166-5
	OBS	AS SHOWN	1.28	12	3-435166-2
	OBS	FIG 7	.38	3	3-435166-0
	OBS		.28	2	2-435166-9
9	OBSOLETE	FIG 2	.88	8	2-435166-8
	OBS		1.08	10	435166-7
	OBS		.98	9	435166-6
	OBS		.88	8	435166-5
	OBS		.68	6	435166-4
	OBS		.58	5	435166-3
	OBS		.48	4	435166-2
	OBS		.78	7	435166-1
	OBSOLETE				
	TOP MARKING		A		
	PROTECTIVE SEAL				
	NO OF POSN				
	PART NO				

THIS DRAWING IS A CONTROLLED DOCUMENT.		DWN	R.TALLEY	17NOV89
DIMENSIONS: INCHES		CHK	R.MILLER	06MARGO
TOLERANCES UNLESS OTHERWISE SPECIFIED:		APVD	H.LEITER	07MARGO
0 PLC ± -		PRODUCT SPEC		
1 PLC ± -		APPLICATION SPEC		
2 PLC ± -				
3 PLC ± .005		WEIGHT	-	
4 PLC ± -		SCALE	4:1	
ANGLES ± -		SHEET	1 OF 1	
MATERIAL: HOUSING & ROCKERS: POLYESTER; CONTACTS: BERYLLIUM COPPER		CUSTOMER DRAWING		
FINISH: CONTACTS: PLATED .00030 MIN GOLD IN CONTACT AREA OVER .00050 MIN NICKEL		RESTRICTED TO		
		REV	BB2	